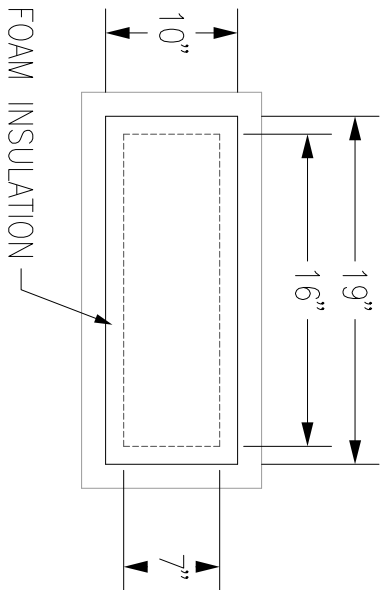
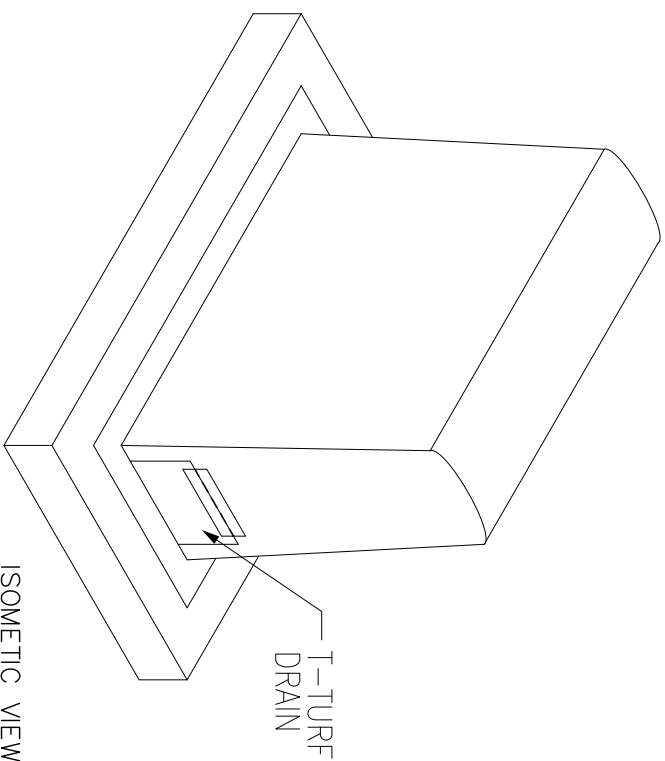


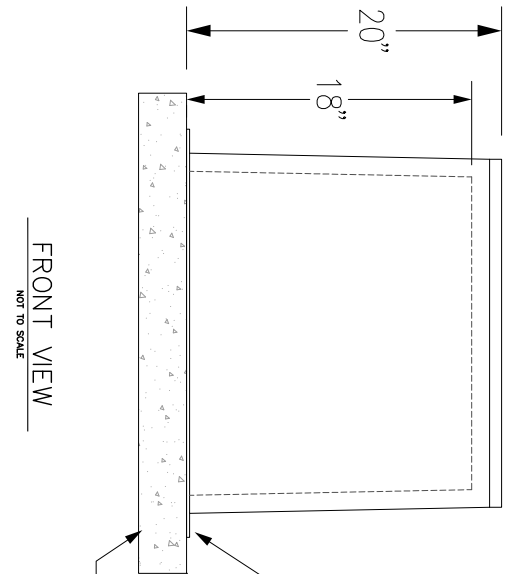
#191-APD, ONE PIECE, LIFT-OFF DESIGN, ASSE-1060 APPROVED
 ENGINEERED TO FIT 3/4" STREET-90 SHORT LAY LENGTH
 BACKFLOW INSTALLATIONS



TOP VIEW
 NOT TO SCALE



ISOMETRIC VIEW
 NOT TO SCALE



FRONT VIEW
 NOT TO SCALE

MOUNTING FLANGE 23" X 14"
 SLAB OR FOOTER
 RECOMMENDED PAD/FOOTER SIZE:
 LENGTH: 26" X 17"

SPECIFICATION:
 BFPProducts Inc. enclosures are manufactured to ASSE-1060 standards and designed to be used to help protect Backflow Prevention Devices from freezing conditions and vandalism. Factory assembled construction will include a gelcoat shell backed with chip-strand polyresin bonded fiberglass, internally insulated using polyurethane spray-foam.
 WEIGHT: 12 LBS

Options:

- HEAT SOURCE - HEAT TAPE #430
- T-TURF - STANDARD OPTION - Turf Installation, elevated dump-drain for flange bury

ASSE-1060

BFPProducts
 CORPORATE OFFICE
 P.O. BOX 242771
 CHARLOTTE, NC 28224

PHONE: (704) 599-9407
 FAX: (704) 599-0595
 EMAIL: bfpproducts@gmail.com
 WEBSITE: www.bfpproducts.biz

BFPProducts, Inc
 Backflow Prevention Device Enclosures
 "We've Got You Covered"

FIBERGLASS ENCLOSURE
 MODEL # 191-APD
 Submittal Sheet

SHEET NO.
 09/2013
 191-APD