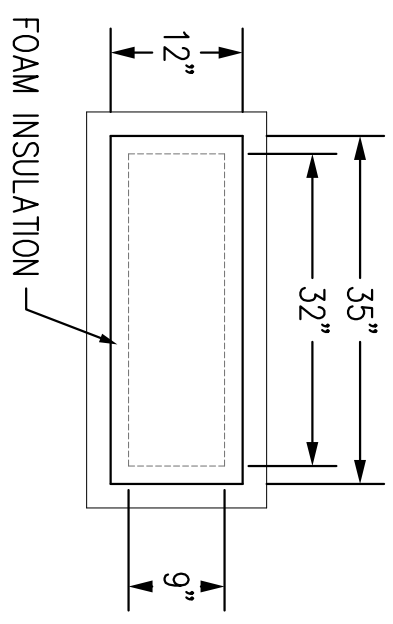
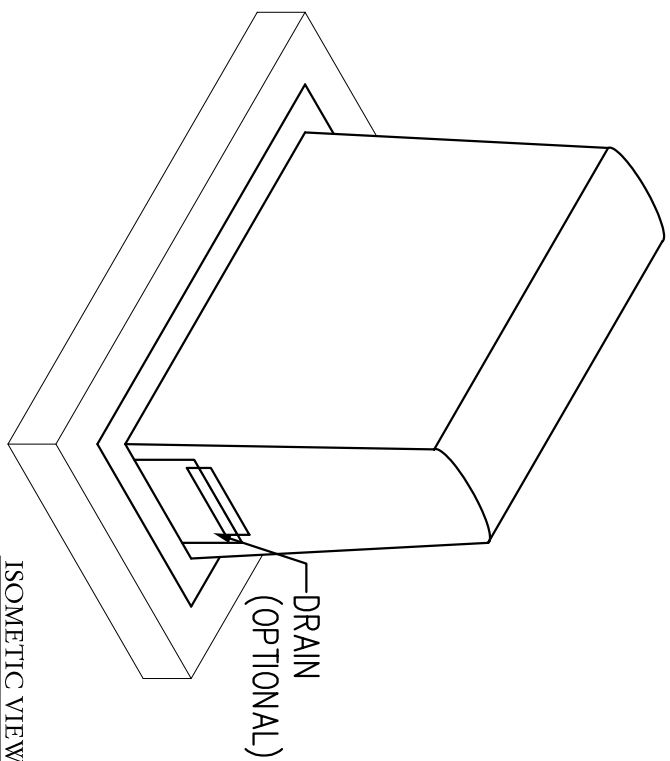


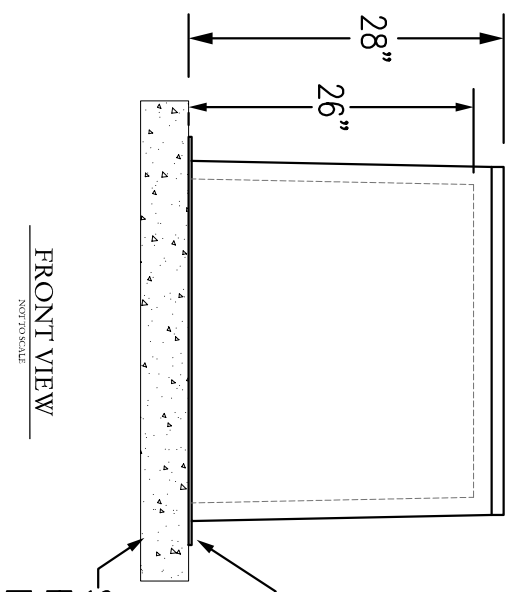
ENGINEERED TO FIT 1¼" THROUGH 2" BACKFLOW PREVENTION DEVICE INSTALLATIONS
#351



TOP VIEW
NOT TO SCALE



ISOMETRIC VIEW
NOT TO SCALE



MOUNTING FLANGE 40"X17"
SLAB OR FOOTER (OPTIONAL)
RECOMMENDED PAD/FOOTER SIZE:
LENGTH: 43" x 20"

SPECIFICATION:
BFPProducts Inc. enclosures are manufactured and designed to be used to help protect Backflow Prevention Devices from freezing conditions and vandalism. Factory assembled construction will include a gelcoat shell backed with chop-strand polyresin bonded fiberglass, internally insulated using polyurethane spray-foam.
WEIGHT: 16 LBS

Options:

- HEAT SOURCE – HEAT TAPE #A130
- T-TURF – Turf installations require elevated discharge drain to facilitate flange bury.

BFPProducts
CORPORATE OFFICE
P.O. BOX 242771
CHARLOTTE, NC 28224

PHONE: (704) 599-9407
FAX: (704) 599-0595
EMAIL: bfproducts@qmarketing.biz
WEBSITE: www.bfproducts.biz

BFPProducts, Inc
Backflow Prevention Device Enclosures
"We've Got You Covered"

FIBERGLASS ENCLOSURE
MODEL # 351
Submittal Sheet

SHEET NO.
09/13/10
351