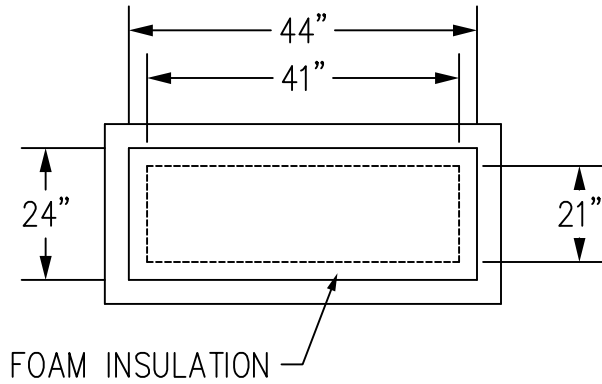
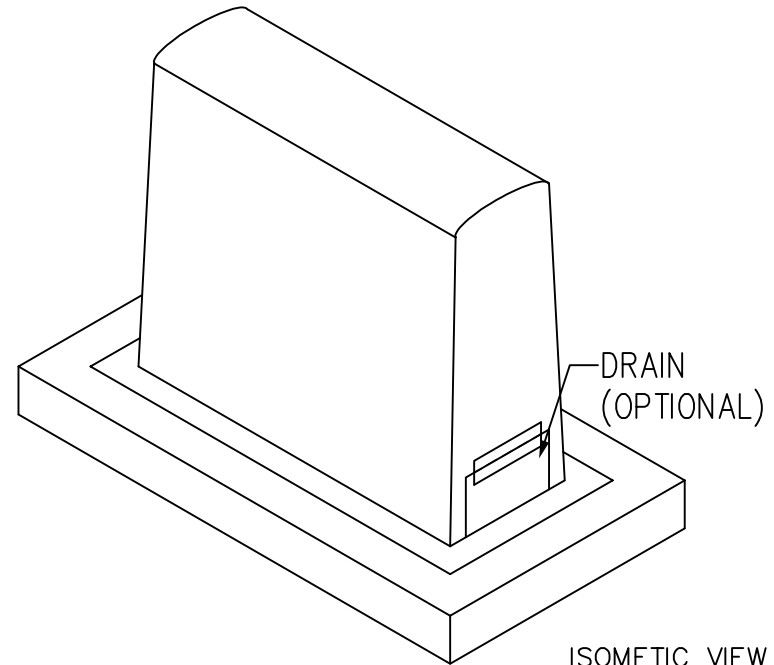


ENGINEERED TO FIT  $\frac{3}{4}$ " THROUGH 2" BACKFLOW DEVICE INSTALLATIONS, INCLUDING PARALLEL, MANIFOLD, AND ADDITIONAL EQUIPMENT & PIPING CONFIGURATIONS.

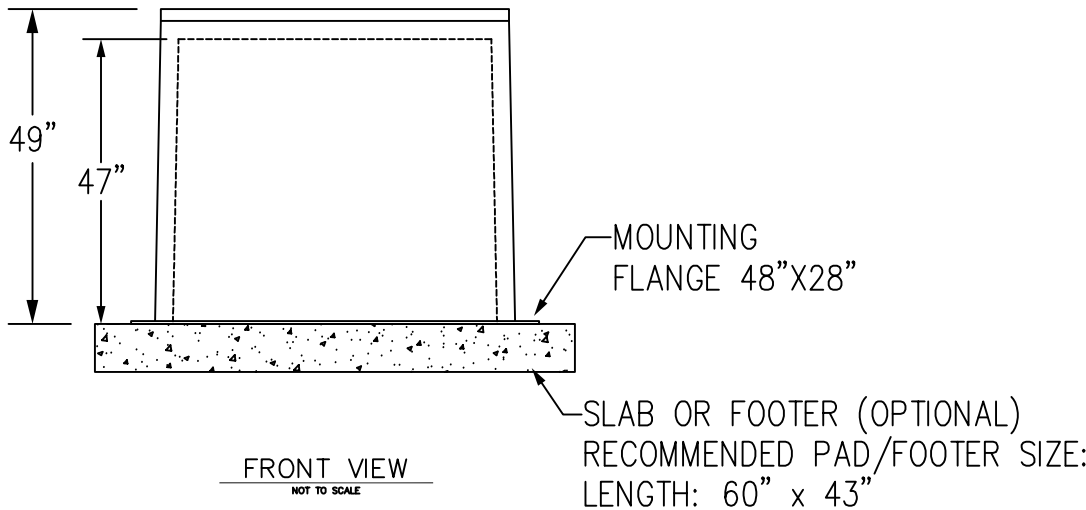
#411



TOP VIEW  
NOT TO SCALE



ISOMETRIC VIEW  
NOT TO SCALE



FRONT VIEW  
NOT TO SCALE

**SPECIFICATION:**

BFProducts Inc. enclosures are manufactured and designed to be used to help protect Backflow Prevention Devices from freezing conditions and vandalism. Factory assembled construction will include a gelcoat shell backed with chop-strand polyresin bonded fiberglass, internally insulated using polyurethane spray-foam.  
WEIGHT: 32 LBS

**Options:**

- HEAT SOURCE – HEAT TAPE #190
- T-TURF – Turf installations require elevated discharge drain to facilitate flange bury.

BFPRODUCTS  
CORPORATE OFFICE  
PO BOX 1208  
PINEVILLE, NC 28134

PHONE: (704) 599-9407  
FAX: (704) 599-0595  
EMAIL: [bfproducts@qmarketing.biz](mailto:bfproducts@qmarketing.biz)  
WEBSITE: [WWW.BFPRODUCTS.BIZ](http://WWW.BFPRODUCTS.BIZ)

BFProducts, Inc  
Backflow Prevention Device  
Enclosures  
"We've Got You Covered"

FIBERGLASS ENCLOSURE  
MODEL # 411  
Submittal Sheet

SHEET NO.  
04/06/24  
411