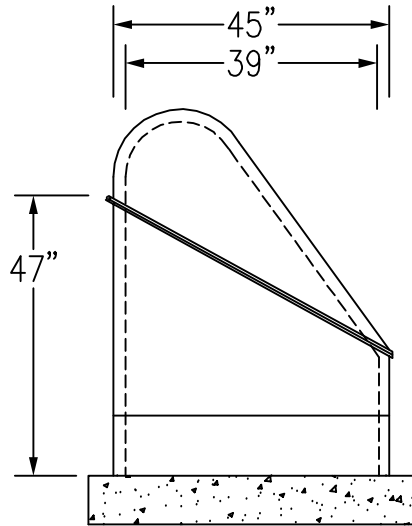
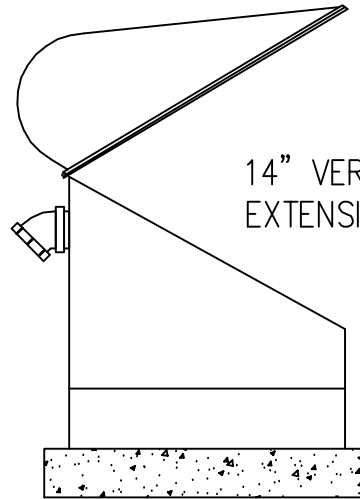


#45N-APD WITH #45N-EXT DESIGNED TO FIT 2½" THRU 6" N-PATTERN RPDA



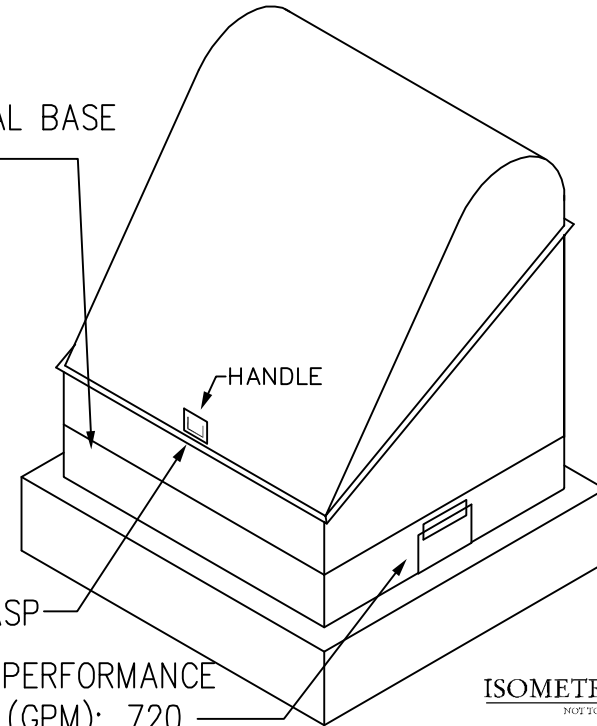
SIDE VIEW

NOT TO SCALE



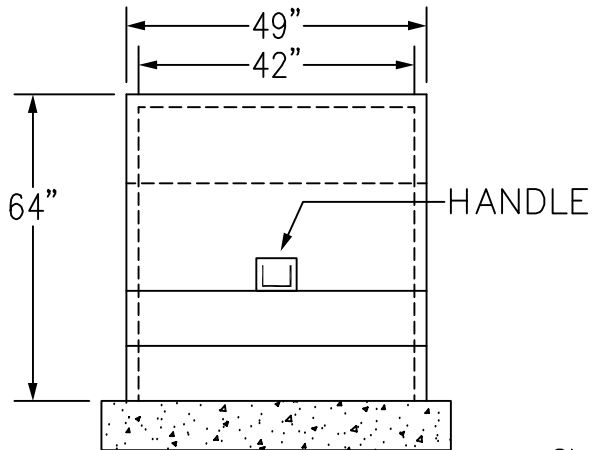
SIDE VIEW OPEN

NOT TO SCALE



ISOMETRIC VIEW

NOT TO SCALE



FRONT VIEW

NOT TO SCALE

LOCKING HASP
DISCHARGE PERFORMANCE
FLOW RATE (GPM): 720

SLAB OR FOOTER
RECOMMENDED PAD/FOOTER SIZE:
LENGTH: 60" x 60"

SPECIFICATION:

BFProducts Inc. enclosures are designed to be used to help protect Backflow Prevention Devices from freezing conditions and vandalism. Factory assembled construction will include a gelcoat shell backed with chop-strand polyresin bonded fiberglass, internally insulated using polyurethane spray-foam.
WEIGHT: 35 LBS

Options:

NONE

BFPRODUCTS
CORPORATE OFFICE
P.O. BOX 242771
CHARLOTTE, NC 28224

PHONE: (704) 599-9407
FAX: (704) 599-0595
EMAIL: bfproducts@qmarketing.biz
WEBSITE: WWW.BFPRODUCTSINC.COM

BFProducts, Inc
Backflow Prevention Device Enclosures
"We've Got You Covered"

FIBERGLASS ENCLOSURE
MODEL # 45N-EXT
Submittal Sheet

SHEET NO.
04/15/19
45N-EXT