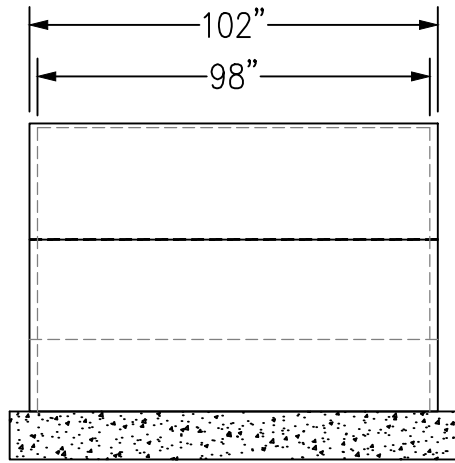
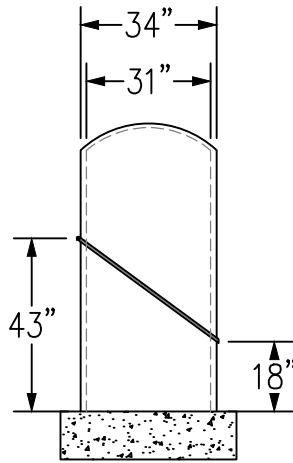


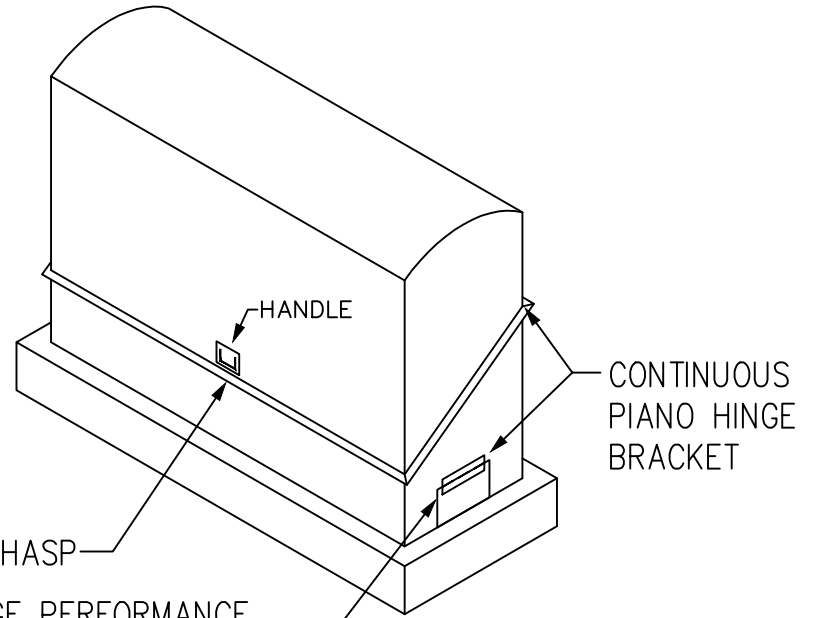
ENGINEERED TO FIT 6" THROUGH 8" BACKFLOW PREVENTION DEVICE INSTALLATIONS



BACK VIEW
NOT TO SCALE



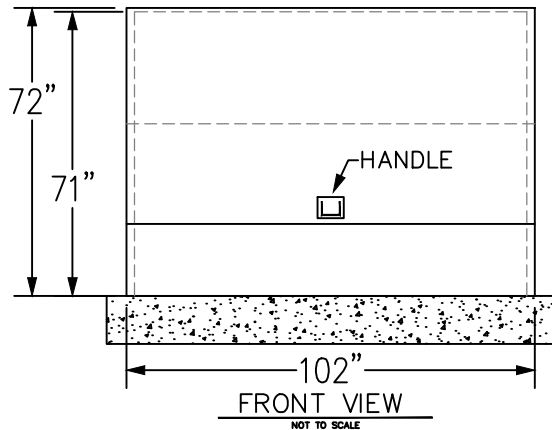
SIDE VIEW
NOT TO SCALE



ISOMETRIC VIEW
NOT TO SCALE

LOCKING HASP
DISCHARGE PERFORMANCE
FLOW RATE (GPM): 720

CONTINUOUS
PIANO HINGE
BRACKET



FRONT VIEW
NOT TO SCALE

SLAB OR FOOTER
RECOMMENDED PAD/FOOTER SIZE:
LENGTH: 112" x 44"

SPECIFICATION:
BFProducts Inc. enclosures are manufactured to ASSE-1060 standards and designed to be used to help protect Backflow Prevention Devices from freezing conditions and vandalism. Factory assembled construction will include a gelcoat shell backed with chop-strand polyresin bonded fiberglass, internally insulated using polyurethane spray-foam.
WEIGHT: 250 LBS

Options:
 HU-SS HEATER – Internal Heat Source, Damp Location Listed, 120v, 500w or 1000w, Thermostatically Controlled.
ASSE-1060

BFPRODUCTS
CORPORATE OFFICE
P.O. BOX 242771
CHARLOTTE, NC 28224

PHONE: (704) 599-9407
FAX: (704) 599-0595
EMAIL: bfproducts@qmarketing.biz
WEBSITE: WWW.BFPRODUCTS.BIZ

BFProducts, Inc
Backflow Prevention Device Enclosures
"We've Got You Covered"

FIBERGLASS ENCLOSURE
MODEL # **98-APD**
Submittal Sheet

SHEET NO.
08/01/14
98-APD